

SCM Series

SMD Common Mode Inductor

Size 9070



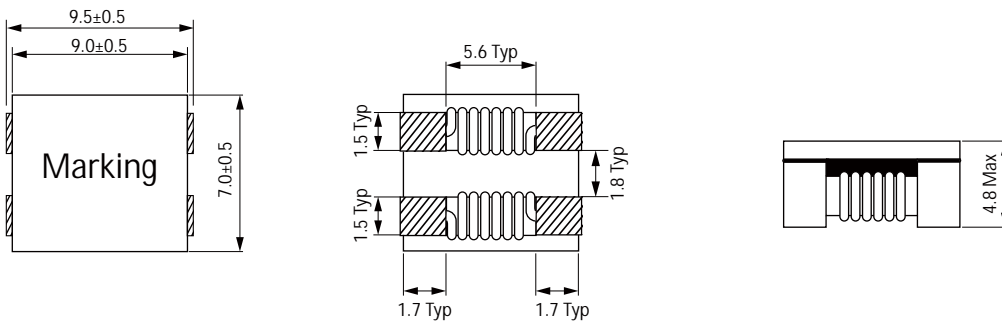
FEATURES

- Chip common mode filter for large current applications.
- Low profile design makes it optimal for surface mounting.
- Operating temperature -40~+125 °C
- Quantity:700pcs

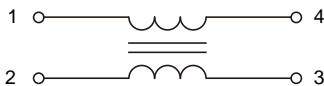
APPLICATIONS

- Power line noise countermeasure for various electronic equipment
- Noise countermeasure for adapter lines and battery lines or larger electronic equipment such as note PCs and word processors

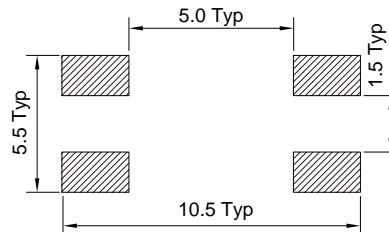
Dimensions: [mm]



Schematic:



Land Pattern: [mm]



Electrical Properties:

	I _M ()	I _()	F	I _M (A)	M ^{DC} (m)	M ^{DC} (olts)	I _M (M)
SCM9070-301Y	225	300	100MHz	6.0	6	80	10
SCM9070-501Y	450	500	100MHz	5.5	8	80	10
SCM9070-701Y	500	700	100MHz	5.0	10	80	10
SCM9070-102Y	750	1000	100MHz	4.0	13	80	10
SCM9070-152Y	1000	1500	100MHz	4.5	15	80	10
SCM9070-222Y	1700	2200	20~50MHz	3.0	50	80	10
SCM9070-272Y	2000	2700	20~50MHz	2.0	80	80	10
SCM9070-302Y	2500	3000	20~50MHz	1.9	85	80	10
SCM9070-402Y	3300	4000	20~50MHz	1.8	100	80	10

Temperature Rise Current: The actual value of DC current when the temperature rise is $\Delta T=40^{\circ}\text{C}$



Typical Electrical Characteristics: