

SCM Series

Common Mode Filter

Size 2520



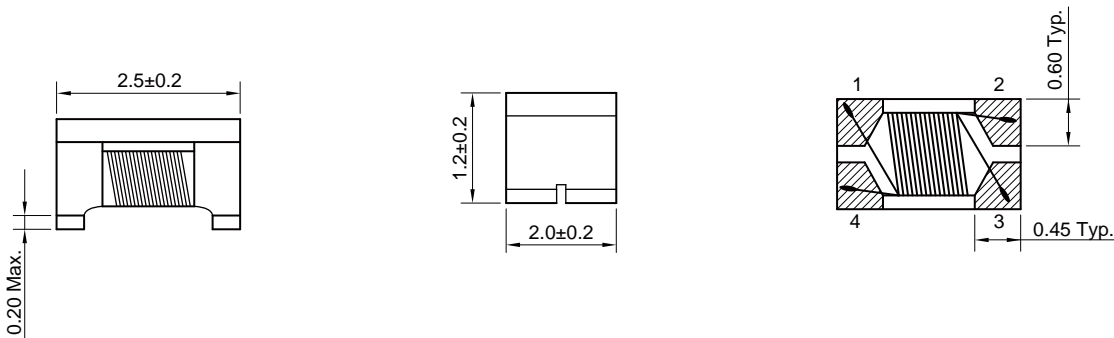
FEATURES

- High common mode impedance for outstanding noise suppression performance.
- Realize small size and low profile. 0*0*2mm
- Operating temperature -40~+125 C
- Excellent solderability

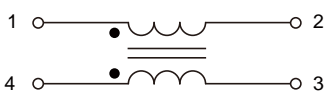
APPLICATIONS

- USB2.0 lines for PC, TV, Peripheral equipments
- Standard signal lines
- Audio lines

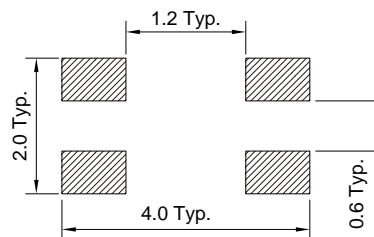
Dimensions: [mm]



Schematic:



Land Pattern: [mm]



Electrical Properties:

Part No	Impedance @ 100 MHz ()	Tolerance	DC Resistance Max. ()	Rated Current Max. (mA)	Rated Volt Max. (V)	IR Min. (M)

Typical Electrical Characteristics:

