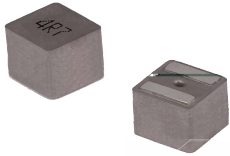


MDTE Series

Wire Wound Molded SMD Power Inductors

Size 1513



FEATURES

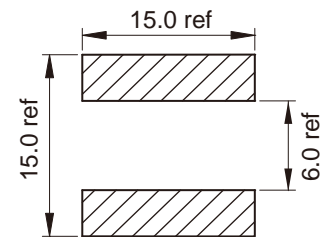
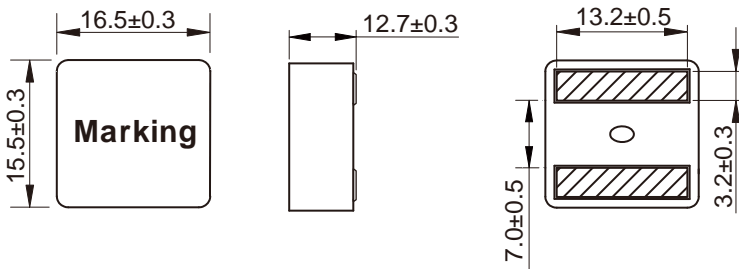
- Molded
- Wire Wound
- SMD
- Power Inductor
- Size 1513
- Inductance Range: 0.1µH to 100µH
- Saturation Current: 0.1A to 10A
- Temperature Rise Current: 0.1A to 10A
- DC Resistance: 0.1mΩ to 10mΩ
- RoHS Compliant

APPLICATION

- Power Supply
- Motor Drive
- Industrial Control
- Automotive
- Consumer Electronics

Dimensions: [mm]

Land Pattern: [mm]



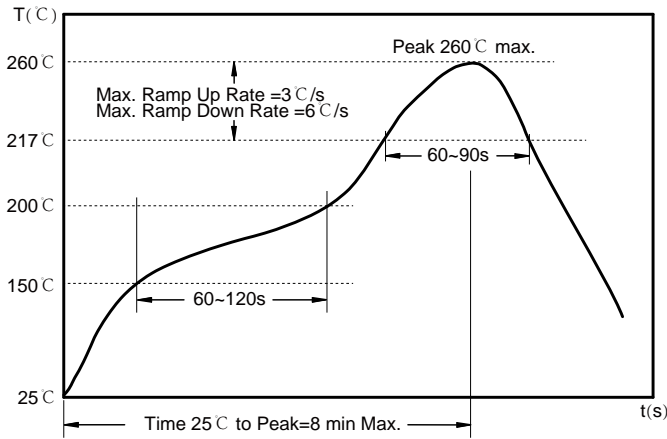
Electrical Properties:

Part No	Inductance @ 100KHz/0.1V (µH)	Tolerance	Saturation Current Typ. (A)	Saturation Current Max. (A)	Temperature Rise Current Typ. (A)	DC Resistance Max. (mΩ)

Saturation Current will cause L to drop approximately 30%

Temperature Rise Current: The actual value of DC current when the temperature rise is $\Delta T=40^{\circ}\text{C}$

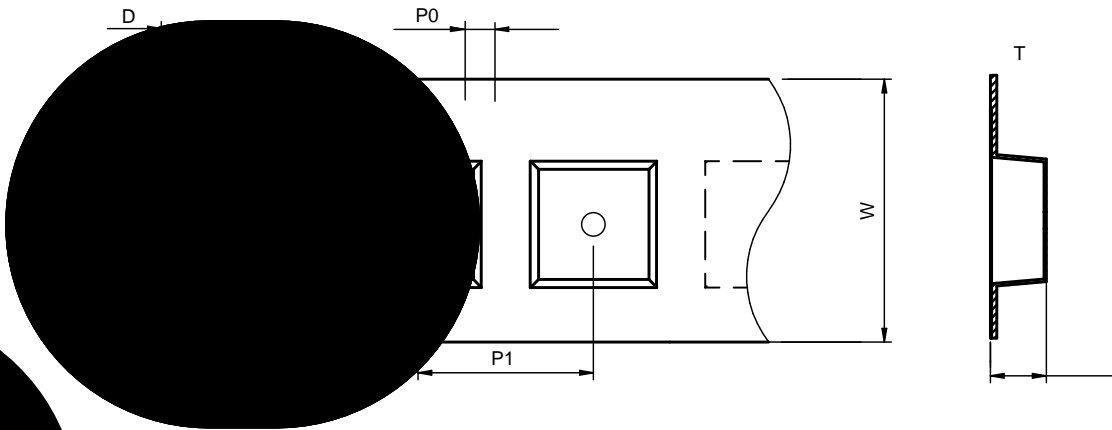
Soldering Reflow:



Preheat condition: 150 ~200°C / 60~120 sec.
 Allowed time above 217°C: 60~90 sec.
 Max temperature: 260°C.
 Max time at max temperature: 10 sec.
 Allowed Reflow time: 2x max.

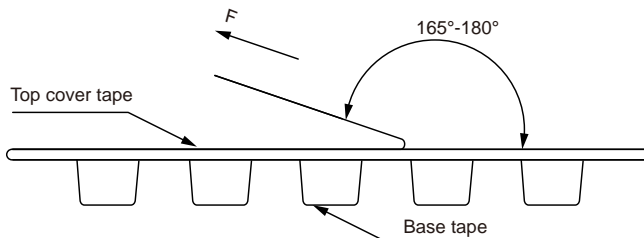
Packaging Information:

Tape Dimension:



	A0 (mm)	B0 (mm)	D (mm)	P0 (mm)	P1 (mm)	W (mm)	K0 (mm)	E (mm)	T (mm)
8	17.0±0.1	16.0±0.1	1.5±0.1	4.0±0.1	24.0±0.1	32.0±0.3	13.6±0.1	1.75±0.1	0.5±0.05

Force of top cover tape:



The peel force of top cover tape shall be between 0.1 to 1.3 N

Product Marking:

Marking	Printing (Inductance)
---------	-----------------------

Reel Dimension: [mm]



Packaging Quantity: