

# MDTA Series

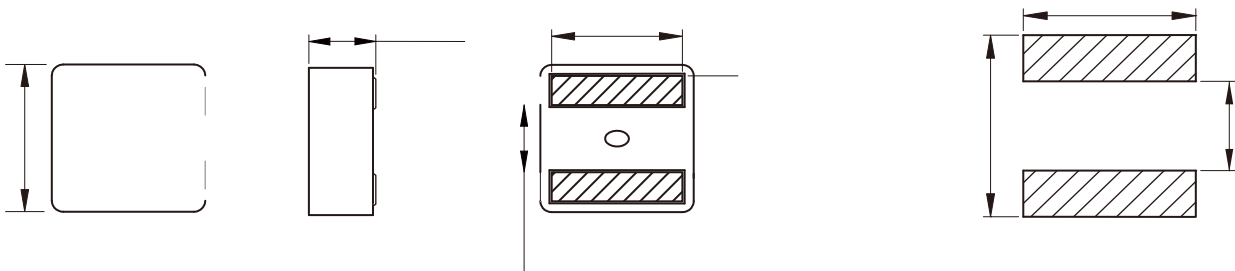


## FEATURES

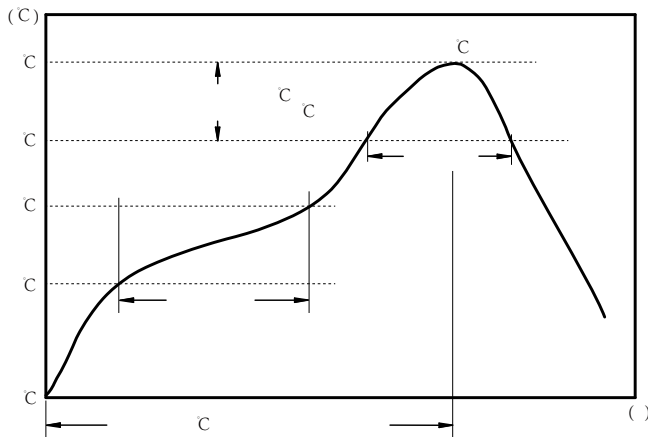
- Flat wire coil from  $\mu\text{m}$  to  $76\mu\text{m}$  wires
- Composite core material allows high saturation currents
- Very low acoustic noise and very low leakage flux noise
- High current capability and handles high transient current spikes
- AEC-Q200 qualified
- Operating temperature  $-55$  to  $+155^\circ\text{C}$  (Including self-temperature rise)
- Quantity: 450pcs

## APPLICATION

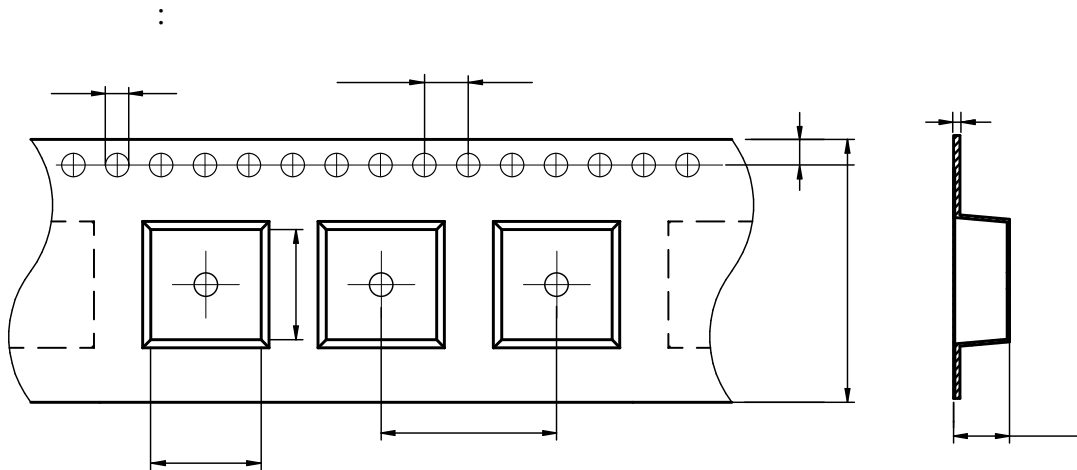
- DC/DC converters for entertainment/navigation systems
- Noise suppression for motors: windshield wipers / power seats / power mirrors / heating and ventilation blowers / HID lighting
- LED drivers



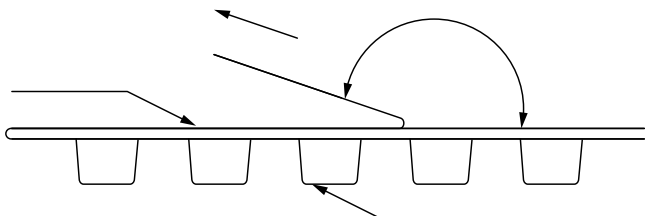
Part No	L@100KHz /0.1V	Tolerance	I <sub>SAT</sub> Typ.	I <sub>R</sub>		R <sub>DC</sub> Max.	D
				20°C rise	40°C rise		
MDTA8080-1R8M	1.80	±20%	28.0	18.0	24.0	4.0	7.2±0.3
MDTA8080-2R2M	2.20	±20%	25.0	16.0	21.5	4.3	7.2±0.3
MDTA8080-3R3M	3.30	±20%	23.0	13.5	18.0	7.3	6.9±0.3
MDTA8080-4R7M	4.70	±20%	19.0	10.5	14.6	9.8	6.9±0.3
MDTA8080-6R8M	6.80	±20%	14.5	8.0	11.3	14.3	6.9±0.3
MDTA8080-100M	10.0	±20%	11.0	6.6	8.7	22.9	6.9±0.3



c  
c  
c



MDTA8080	9.4± 0.1	8.9± 0.1	1.5± 0.1	4.0± 0.1	16.0± 0.1	24.0± 0.3	8.5± 0.1	1.75± 0.1	0.50± 0.05



The peel force of top cover tape shall be between 0.1 to 1.3 N

Marking	Printing Inductance)
---------	----------------------

