

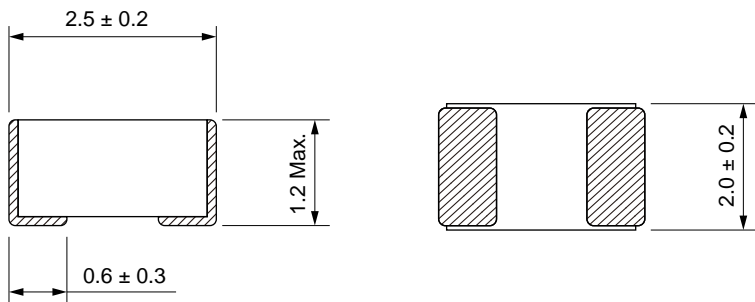
Molding Power Inductors

Size 252012S

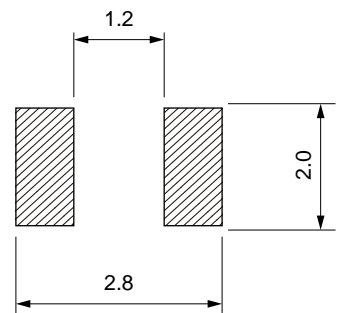


-
-
-
-
-
-
-
-
-
-

Dimensions: [mm]



Land Pattern: [mm]



Electrical Properties:

		±20%	16	22				
		±20%	36	44				
		±20%	74					

Typical Electrical Characteristics:D