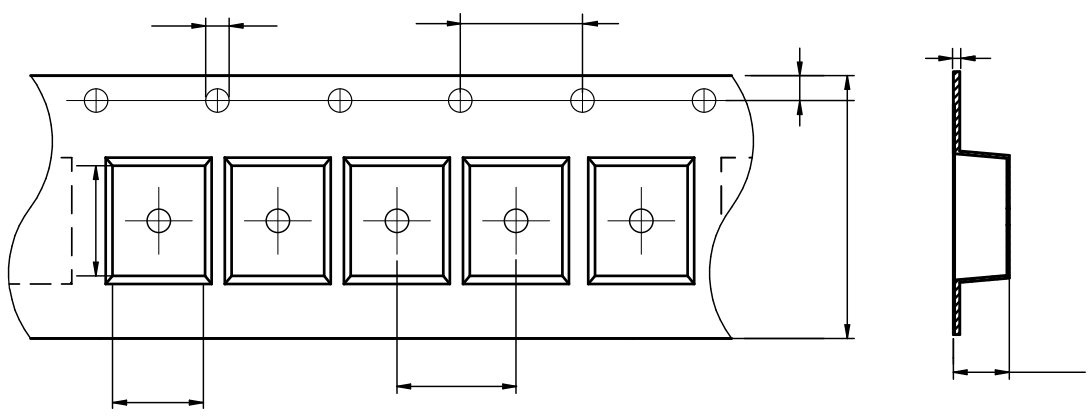
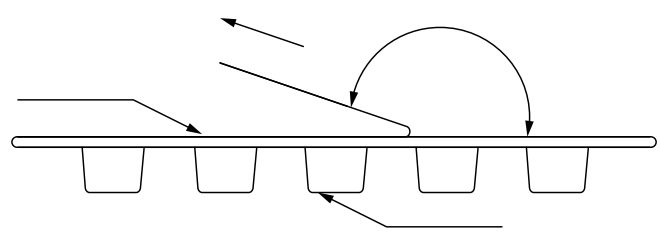


C
C
C

:

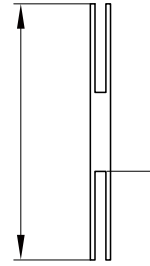
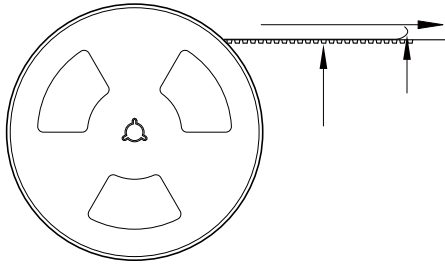


| | | | | | | | | | |
|----------|-----------|-----------|---------|---------|---------|---------|-----------|----------|-----------|
| | | | | | | | | | |
| FBHA0805 | 1.30±0.05 | 2.10±0.05 | 1.5±0.1 | 4.0±0.1 | 4.0±0.1 | 8.0±0.3 | 0.95±0.05 | 1.75±0.1 | 0.95±0.05 |



The peel force of top cover tape shall be between 0.14 to 0.58 N

:



:

-
-
-
-
-
-
-
-
-