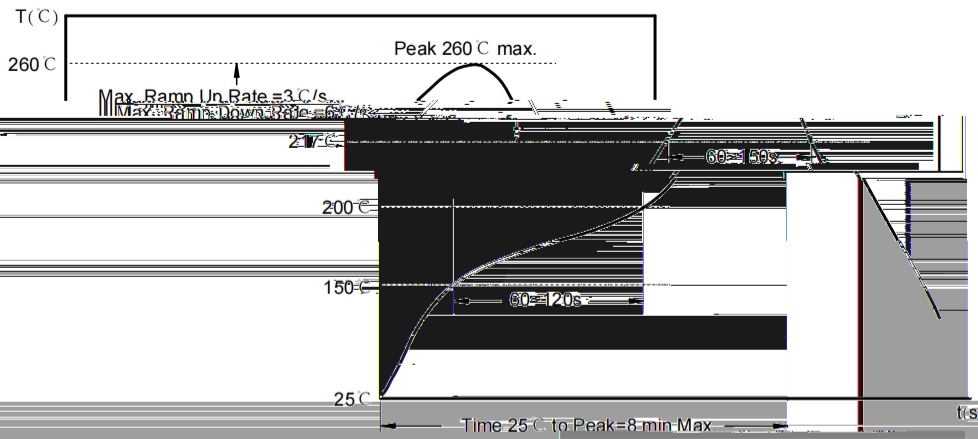




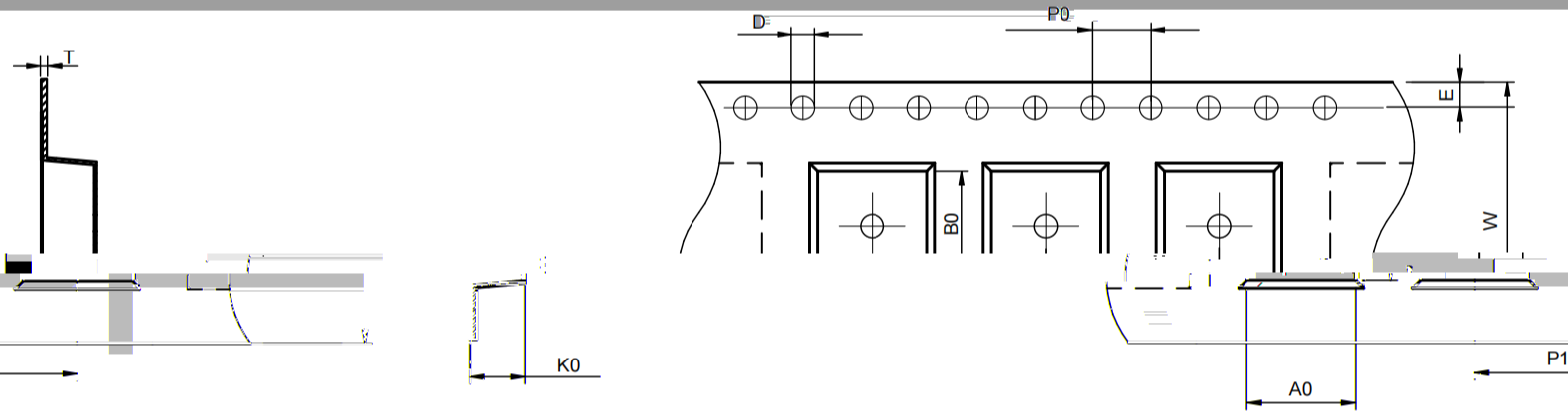
Soldering Reflow:



Preheat condition: 135-200°C  
 Max temperature: 260°C  
 Allowed Reflow time: 2x max

Packaging Information:

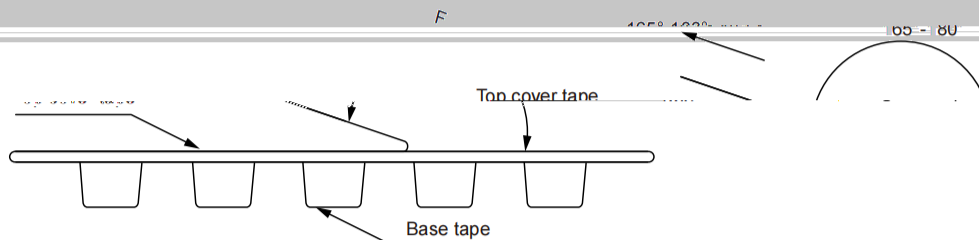
Tape Dimension:



P0 (mm)	P1 (mm)	W (mm)	K0 (mm)	E (mm)	T (mm)
4.0	10.0	12.0	1.7	1.7	2.4

Series	A0 (mm)	B0 (mm)	D (mm)
100	10.0	10.0	1.5

Min force of top cover tape: 0.1-1.3N

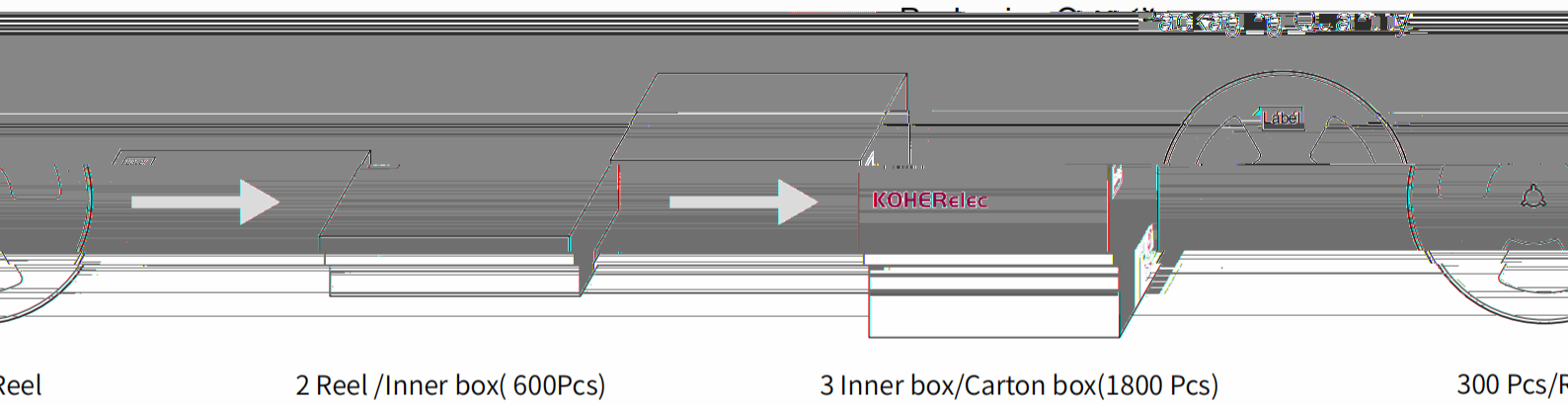
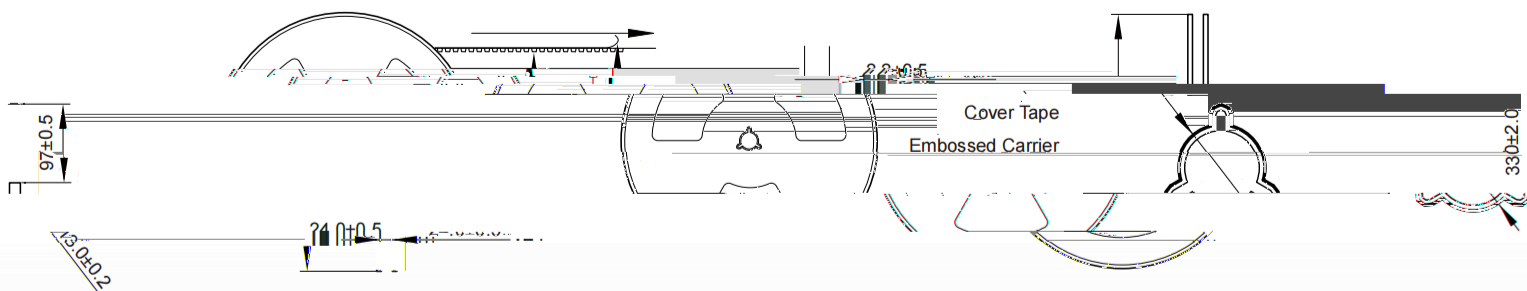


The min force of top cover tape shall be between 0.1 to 1.3N

Product Marking:

Marking	Printing (Inductance)
---------	-----------------------

Reel Dimension: [mm]



Warnings:

Cautions and

Conditions:

Storage

Storage period is within 12 months after the completion of production. Be sure to follow the storage conditions (temperature: 5 to 25°C, humidity: 75% RH Max). If the storage period elapses, the soldering of the terminal electrodes may deteriorate. The warranty period is one year.

Product should not be exposed to environment with high temperature, high humidity, dust, corrosive gas and etc.

Products should be handled with care to avoid damage or contamination from perspiration and skin oils.

Please always handle products carefully to prevent any damage caused by cleaning and prevent any damage by removing.

Operation Instructions:

Distance should be sufficient

- Self heating (temperature increase) occurs when the power is turned ON, so the tolerance for the set thermal design.

Should be notice that the self-heating temperature will increase when the power is turned ON. The pre-heating temperature should be higher than the soldering temperature. The pre-heating temperature difference between the soldering temperature and chip temperature does not exceed 150°C.

Should be within the range of the conditions determined in the specification. Soldering corrections after mounting should be avoided. If overheated, a short circuit, performance deterioration, or lifespan shortening may occur.

Should be familiar with either customer's specific application or actual requests as customer's requirements. Generally, Kohler might not be responsible for checking and confirming whether Kohler product with the customer's specific application is suitable for his/her product's order. As a result customer's performance might be affected.

Should be familiar with either customer's specific application or actual requests as customer's requirements. Generally, Kohler might not be responsible for checking and confirming whether Kohler product with the customer's specific application is suitable for his/her product's order. As a result customer's performance might be affected.