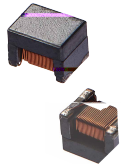


# ACMA Series

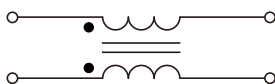
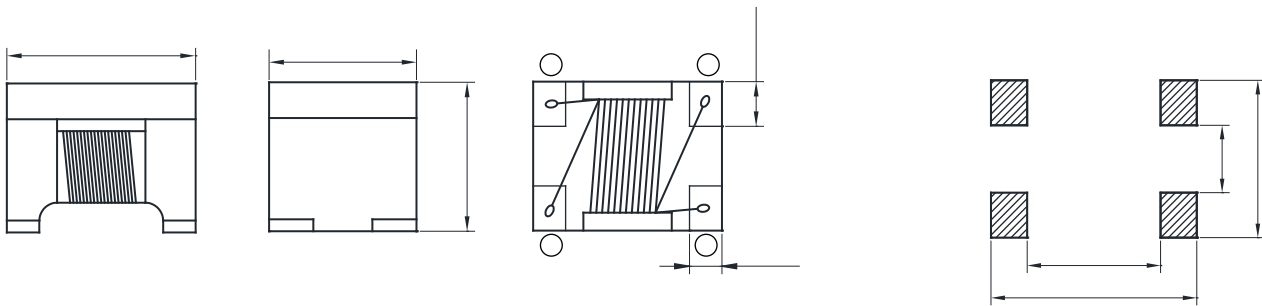


## FEATURES

- 
- ters f
- °C
- 
- 

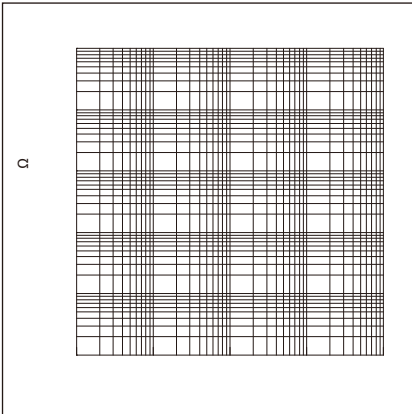
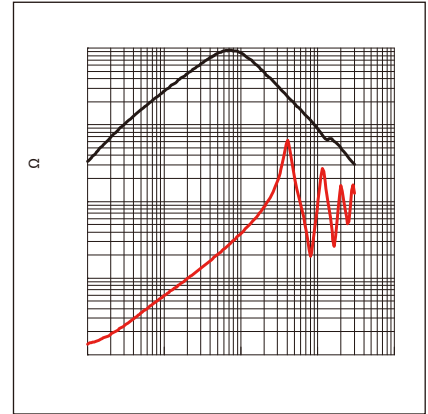
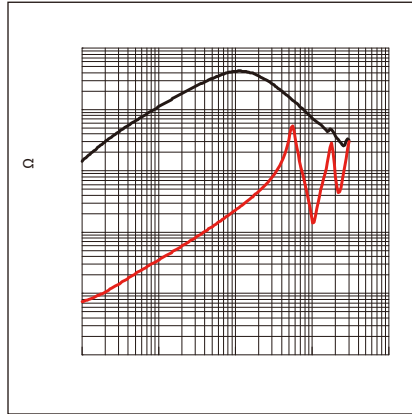
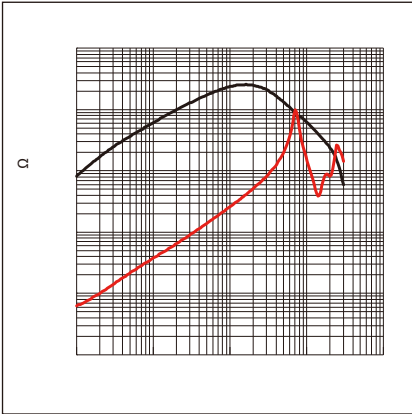
## APPLICATION

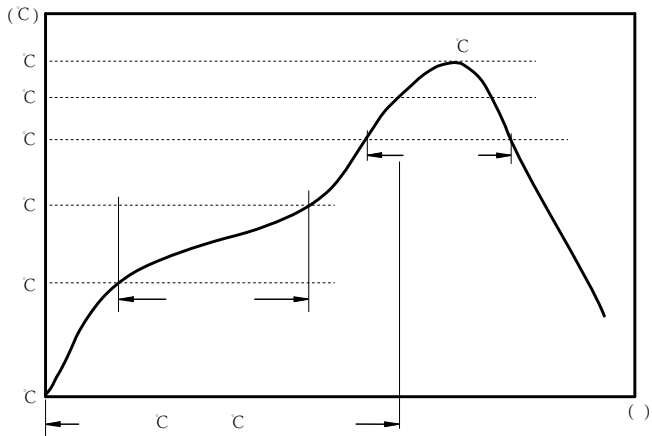
- exRa s stem



|               |      |      | (μH) |          | (mA) | ( ) | olts) | (M ) |
|---------------|------|------|------|----------|------|-----|-------|------|
|               | ( )  | ( )  |      |          |      |     |       |      |
| ACMA3225-110Y | 300  | 550  | 11   | +50/-30% | 300  | 0.4 | 80    | 10   |
| ACMA3225-220Y | 500  | 1100 | 22   | +50/-30% | 250  | 0.5 | 80    | 10   |
| ACMA3225-510Y | 1000 | 2600 | 51   | +50/-30% | 200  | 0.7 | 80    | 10   |
| ACMA3225-101Y | 2200 | 5100 | 100  | +50/-30% | 150  | 1.5 | 80    | 10   |

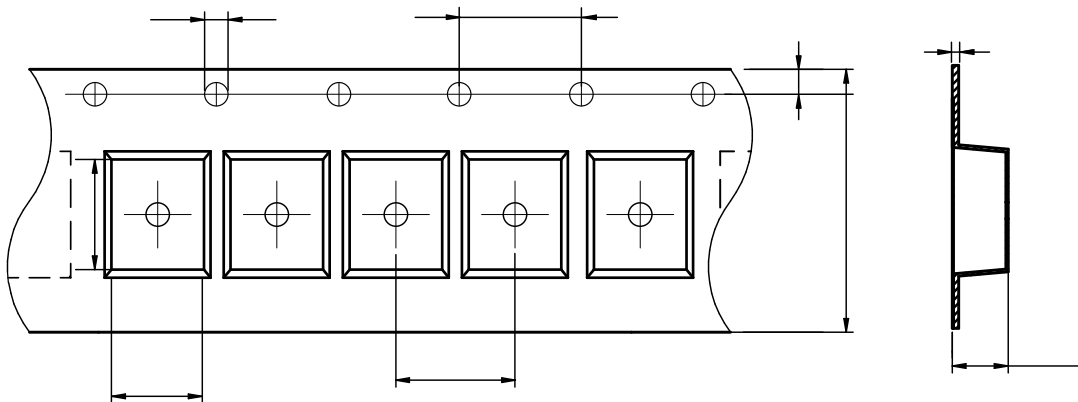
I<sub>R</sub> referring to 20K self-heating above ambient temperature



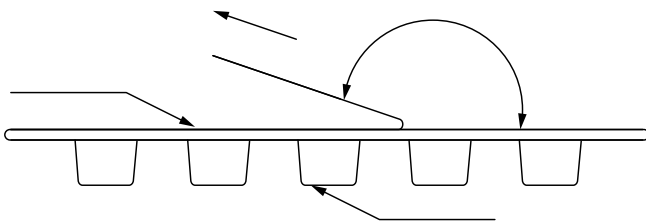


c  
c  
c

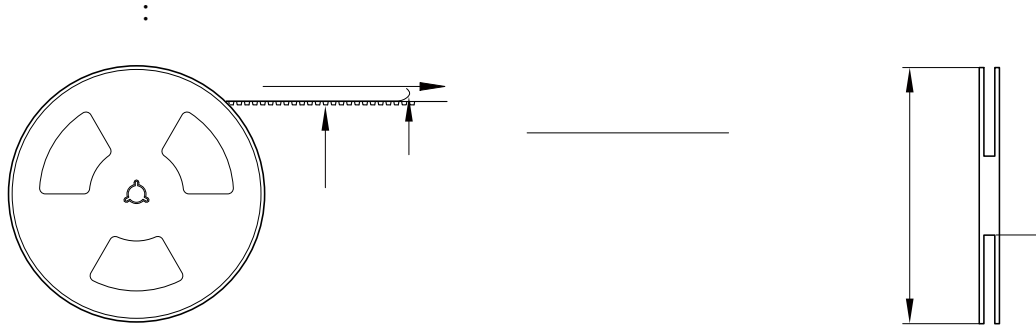
:



|          |                |                |               |               |               |               |               |                |                 |
|----------|----------------|----------------|---------------|---------------|---------------|---------------|---------------|----------------|-----------------|
|          |                |                |               |               |               |               |               |                |                 |
| ACMA3225 | $2.88 \pm 0.1$ | $3.72 \pm 0.1$ | $1.5 \pm 0.1$ | $4.0 \pm 0.1$ | $4.0 \pm 0.1$ | $8.0 \pm 0.3$ | $2.5 \pm 0.1$ | $1.75 \pm 0.1$ | $0.26 \pm 0.05$ |



The peel force of top cover tape shall be between 0.14 to 0.78 N



:

- 
- 
- 
- 
- 
- 
- 
- 
-